

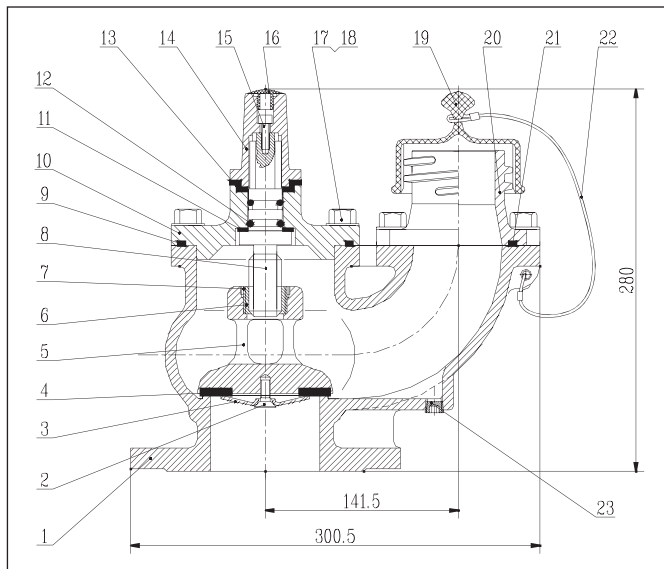
FIRE HYDRANT

Model 5420 Ductile Iron Type II - DN80 BS750



Notes:

1. Produced in accordance with the British National Water Council requirement.
2. The inlet flange is DN80 drilled to combination range, including PN10, PN16 and ANSI 125#.
3. The outlet is 2-1/2"
4. Hydrostatic Test:
Body - 24 bar, Seat - 16 Bar
5. Weight - approximately 21 kgs.



C.I. BS750 Type II Fire Hydrant

Part No.	Outlet Type
5420-LR	London Round Thread
5420-BV	Belfast V
5420-IO	Instantaneous Outlet
5420-BO	Bayonet Outlet
5420-NH	M-NHT

MATERIALS

No.	Part Name	Material
1	Body	D.I. ASTM A536 65-45-12
2	Bolt	Stainless Steel 304
3	Plate	Stainless Steel 304
4	Seat Gasket	EPDM
5	Disc	D.I. ASTM A536 65-45-12
6	Stem Nut	Brass ASTM B16 C36000
7	Screw	Stainless Steel 304
8	Stem	Stainless Steel 420
9	O-ring	NBR
10	Bonnet	D.I. ASTM A536 65-45-12
11	Washer	Stainless Steel 304
12	O-ring	NBR
13	Cap Gasket	Plastic
14	Operating Nut	D.I. ASTM A536 65-45-12
15	Bolt	Stainless Steel 304
16	Plastic Cap	Polyethylene
17	Bolt	Stainless Steel 304
18	Washer	Stainless Steel
19	Nozzle Cap	Plastic 304
20	Hose Nozzle	Brass ASTM B16
21	O-ring	NBR
22	Rope	Stainless Steel 304
23	Plug	Stainless Steel 304

Design and materials are subject to change without notice.



WARNING: This product can expose you to chemicals including lead, which is known to the State of California to cause cancer and birth defects or other reproductive harm. For more information go to www.P65Warnings.ca.gov.



United Water Products
5355 Ramona Blvd., Jacksonville, FL 32205
TEL: 877-766-4459 FAX: 877-766-4458
Website: www.unitedwaterproducts.com